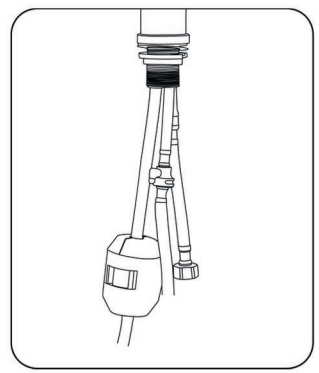
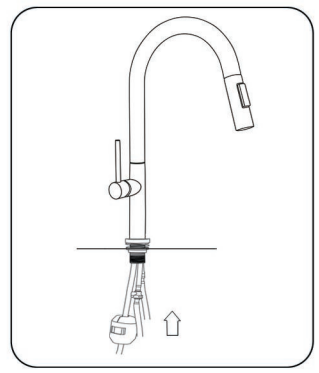


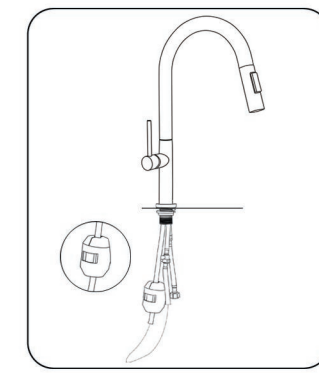
1. Install faucet through center hole. assembly washer and metal washer onto faucet and tighten with lock nut.



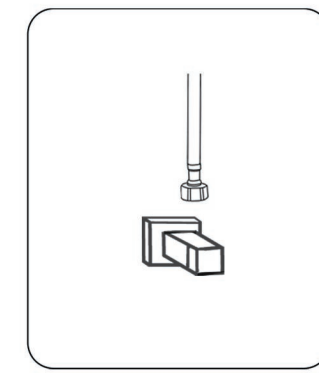
2. Connect stainless steel braided hose to the faucet body.



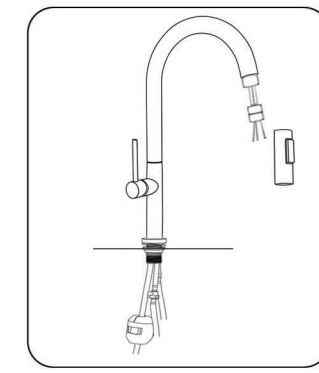
3. Screw and tighten the flexible hoses to the faucet. Do not allow the water supply brass lube to twist.



4. Proper installation of the hose weight kit will ensure it can pull smoothly. Measure 15\* from the bottom of the faucet. Faucet mount hose weight kit at this point, I'm going to put a label here, Easy to move and smooth to retract. Repositioning hose. Necessary weight kit. Ensure that the hot and cold supply hoses do not interfere with the hoses. Adjust the position slightly if necessary.



5. Connect the stainless steel hose to the water supply.



6. After installing faucet remove spray assembly and open the hot and cold water supplier. Check for leaks. Turn on faucet handle for one minute to flush debris from faucet. Turn off the handles and re-assemble the spray.